



# KIOTI COMPACT UTILITY TRACTOR CK2810

## Specifications

MODEL	CK2810	
	MANUAL	HST
<b>ENGINE</b>		
Model	3A139LWB	
Type	3Cyl., In-line Vertical, Water-cooled 4-cycle diesel engine	
Engine gross	HP	28
PTO	HP	24.2 / 22.3
Displacement	cc	1,393
Rated revolution	rpm	2,600
Fuel tank capacity	ℓ	25
<b>DRIVE TRAIN</b>		
Clutch	Dry single	
Transmission	Manual	Hydrostatic
Speeds	6F2R	INF. 2
Differential lock(rear)	Standard	
Brake	Wet disc type	
PTO	Transmission	Live
Rear	rpm	540
Mid(Optional)	rpm	2,000
<b>HYDRAULIC SYSTEM</b>		
Pump	Gear(Tandem)	
Total Pump capacity at maximum flow	ℓ/min	42.9
3-point hitch	Cat.I	
Maximum lifting capacity(24"behind lift point)	kg	739(546)
Hydraulic lift control system	Position control	
Steering	Hydrostatic Power Steering	
<b>TIRE SIZE</b>		
AG Tire	Front	7-12/6
	Rear	11.2-16/6
Turf Tire	Front	23×8.5-12
	Rear	33×12.5-16.5
<b>TRAVELING SPEEDS</b>		
Forward	km/h	1.20-17.34 / 0-17.15
Reverse	km/h	1.48-6.73 / 0-12.01
<b>DIMENSIONS</b>		
Overall length(includes 3-pt hitch)	mm	2,790
Overall width(minimum tread)	mm	1,250
Overall height(from top of ROPS)	mm	2,335
Wheelbase	mm	1,520
Min. ground clearance	mm	340
Tread	Front	mm 960
	Rear	mm 950
Weight with ROPS	kg	1,025

\*NOTE: The specifications are subject to change for the purpose of improvement without any notice.

## Standard Equipment

- Double acting valve (1ea)
- 7-Pin Connector
- Rear view mirror
- Foldable ROPS with Safety Lamp
- Hydraulic Power Steering
- Adjustable suspension seat
- Emergency stop brake (Manual model)
- Joystick lever with mid mount valve for front loader
- Cruise Control (HST model)
- Safety Start Switch
- Rear PTO
- Rear Differential Lock
- Horn
- Towing Hook
- Licence Plate with lamp
- Parking brake
- Fixed drawbar

## Optional Equipment

- AG tire set
- Turf tire set
- Mid PTO
- Front weights
- Rear weights
- Working lamp

Kiotti Tractor / Daedong Ind. Co., Ltd. / EU\_CK2810\_1\_01\_1301



**Kiotti Tractor/  
Daedong Industrial. Co., Ltd.**  
1422-5, Seocho-Dong, Seocho-Ku, Seoul, Korea  
Tel 82-2-3470-7454~9 • Fax 82-2-3470-7485  
www.daedong.co.kr

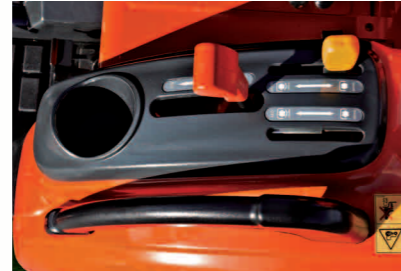
Dealer Imprint Area







**Powerful Environmentally Friendly Engine**  
The Powerful Environmentally Friendly 28hp 'Green' Engine will offer operator quietest, smoothest but most powerful working condition.



**Hi/low Speed Ranges**  
The HST models feature a Hi/Low range transmission to maximize performance and efficiency.

**Increased Hydraulic Pump Capacity**  
Thanks to increased hydraulic pump capacity that enables faster implement work. With the class's best 42.9 liters/min hydraulic pump capacity, you will experience the best work efficiency.

**New Compact design**  
Compact but more Powerful CK2810 comes with new streamlined hood design, which improves visibility and serviceability of the operator. A vertical opening hood allows for easy access to the air filter, fluid service, fuse box and electrical components for inspection.

**Foldable ROPS**  
The standard foldable ROPS makes it quick and easy to maneuver in low clearance areas.

**Hydraulic 4WD**  
Front wheel driving is easily engaged by hydraulic clutch.

**Power Steering wheel**  
With hydraulic power steering, experience smooth responsive steering that requires minimal operator effort regardless of the task at hand.

**Illuminated Dashboard**  
The dashboard illuminates when the engine starts. The digital gauge package includes tachometer, fuel and temperature gauges along with low fuel and high temperature warning lamp.

**Hydrostatic Transmission (HST)**  
The HST models feature performance proven, heavy-duty HST drives that deliver power smoothly and efficiently. A single pedal control allows speed and direction changes without clutching or shifting. With Kioti HST drive system, your hands remain free for steering and implement control.

**Single Lever Joystick**  
The operation of the front loader is made easier by the use of a single lever joystick. The joystick allows you to perform all loader functions conveniently. The lever automatically returns to neutral and the loader stops in place when the joystick is released. A float position allows the bucket free floatation over the ground surface.

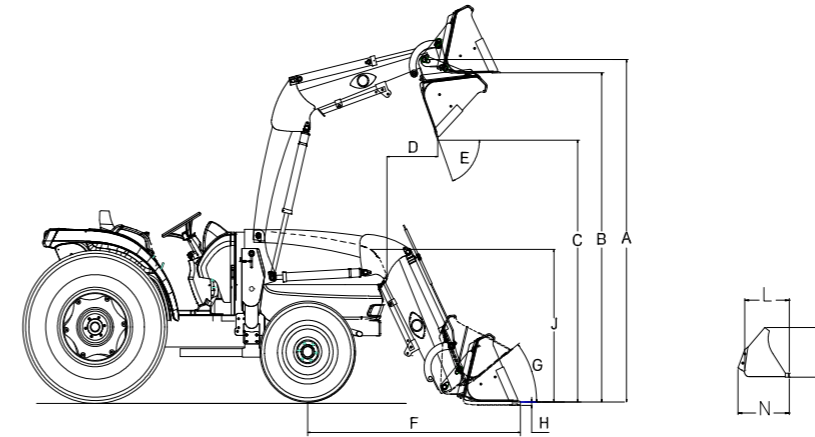
## Front Loader

The Kioti KL2510 front loader is specially designed for CK2810 tractor, providing efficient performance with single joystick control. The Kioti loader is designed for quick and easy attachment/detachment.

### Loader Specifications

Loader Model : **KL2510** Tractor Model : **CK2810**  
Front tire : 7×12 Rear tire : 11.2×16

\* Specifications shown are based on ASAE Standards. Specification may vary with tractor model, front axle configurations, tire size options and type of attachment.



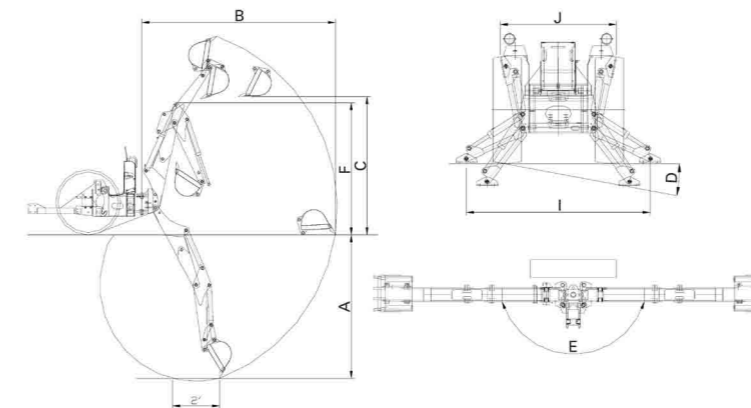
Model	KL2510
A Maximum lift height to pivot pin	87.8" (2,230 mm)
B Maximum lift height under level bucket	84.3" (2,141 mm)
C Clearance with bucket dumped	67.2" (1,706 mm)
D Reach at maximum lift height	31.5" (800 mm)
E Maximum dump angle	53° ←
F Reach with bucket on ground	59.0" (1,498 mm)
G Maximum rollback angle	33° ←
H Digging depth	3.9" (99 mm)
J Overall height in carry position	40" (1,016 mm)
L Depth of bucket	19.6" (498 mm)
M Height of bucket	16.2" (411 mm)
N Length of bucket	24.9" (632 mm)
Lift capacity to maximum height	1,060 lbs
Breakout force	1,840 lbs
Relief valve setting (Loder control valve)	2,275 psi
Rate flow (Tractor system)	7.66 GPM
Bucket size	50"
Bucket capacity (Rated / Heaped)	0.12 / 0.19 m³

## Backhoes

The subframe-mounted KB2365 and KB2375 backhoes can be easily attached and detached using locking pins and quick-connect hydraulics. The Backhoe's offset subframe design provides a large approach angle for the easiest trailer loading in its class.

### Backhoe Specifications

Backhoe Model : **KB2465** Tractor Model : **CK2810**  
Backhoe Model : **KB2465 & 2475** Tractor Model : **CK2810**



Model	KB2465	KB2475
A. Digging Depth (two foot flat bottom)	1,940mm	2,280mm
B. Reach from center line of Swing Pivot	2,680mm	2,950mm
C. Loading Height (bucket at 60°)	1,615mm	1,840mm
D. Maximum Leveling Angle	10°	10°
E. Swing Arc	180°	180°
F. Transport Height (maximum)	1,856mm	2,030mm
G. Transport Overhang	1,105mm	1,160mm
H. Bucket Rotation	180°	180°
I. Stabilizer Spread (down position)	1,950mm	1,950mm
J. Stabilizer Spread (up position)	1,250mm	1,250mm
K. Angle of Departure	21°	21°
Shipping Weight - Backhoe	357kg	390kg
Bucket Digging Force	1305kg	1215kg
Dipperstick Digging Force	793kg	955kg
Operating Pressure	170bar	170bar

#### Cylinders

Cylinder	Piston DIA	Rod DIA	Stroke
Boom	2.75"	1.5"	16.73"
Bucket	2.25"	1.375"	16.81"
Dipperstick	2.25"	1.375"	16.81"
Swing	2.25"	1.375"	9"
Stabilizer	2.25"	1.375"	10.31"

#### Buckets

Bucket	Teeth Q'ty	Struck Capacity	Heaped Capacity	Shipping Weigh
9" Bucket	3	0.73 cu. ft.	0.87 cu. ft.	46 lbs.
12" Bucket	3	1.01 cu. ft.	1.24 cu. ft.	56 lbs
16" Bucket	3	1.38 cu. ft.	1.76 cu. ft.	64 lbs
18" Bucket	4	1.56 cu. ft.	2.02 cu. ft.	70 lbs
24" Bucket	5	2.11 cu. ft.	2.82 cu. ft.	94 lbs
36" Muck Bucket	6	2.78 cu. ft.	4.00 cu. ft.	114 lbs